

FWL-100  
RSK-78110

The copying, distribution and utilization of this documents as well as the communication of its contents to others without expressed authorization is prohibited. Offenders will be held liable for the payment of damages. All rights reserved in the event of the grant of patent, utility model or ornamental design registration.

Allgemeintoleranz: Oberfläche

Maßstab: 1 : 1

Gewicht:

DN 100

	Datum	Name
Gezeichnet	23.06.2014	St
Kontrolliert		
Freigegeben	02.02.2015	St

FWL-100 Setups

**RIEZLER**

1

1 / 1

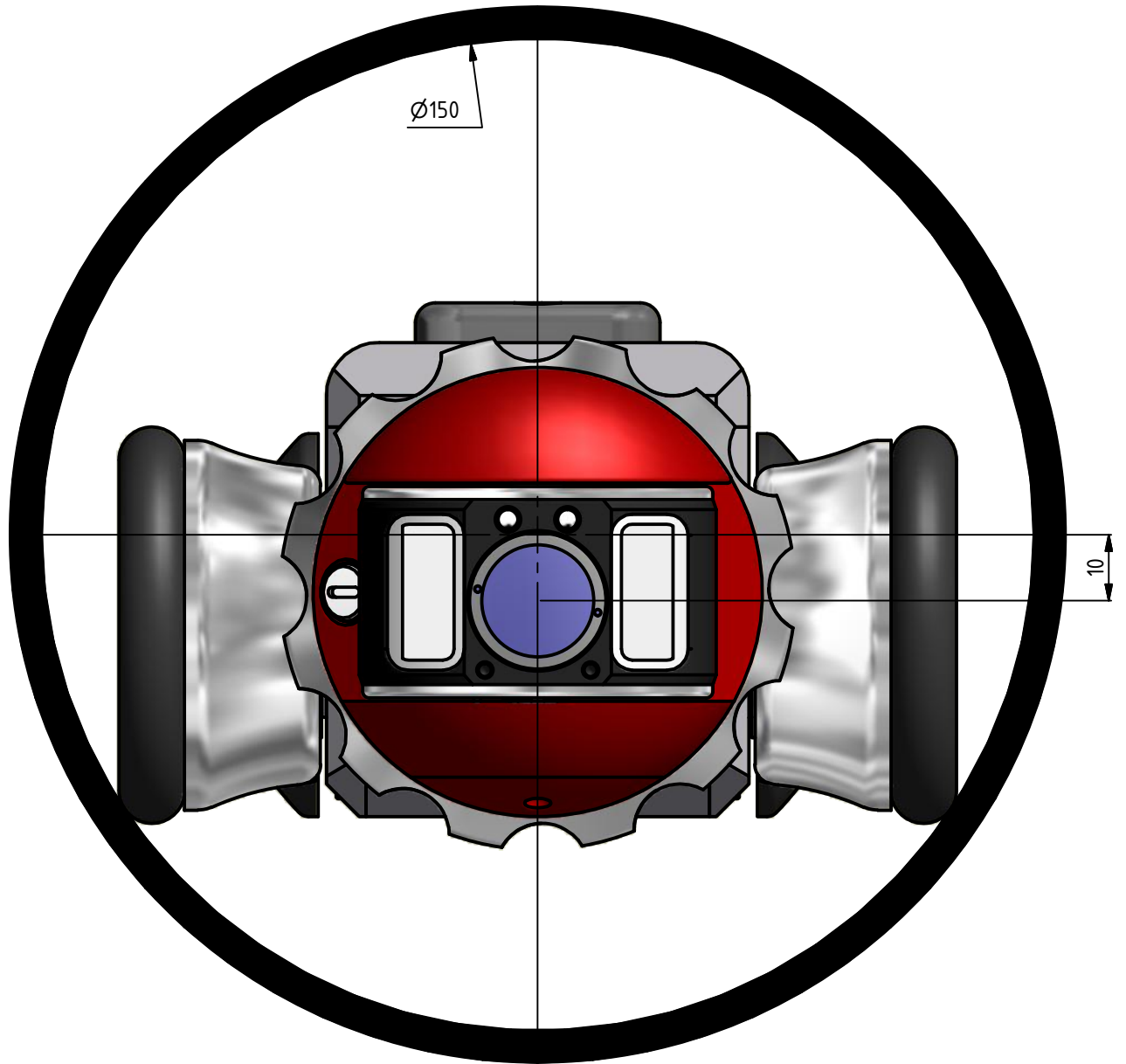
Revision

A4


Status	Änderungen	Datum	Name

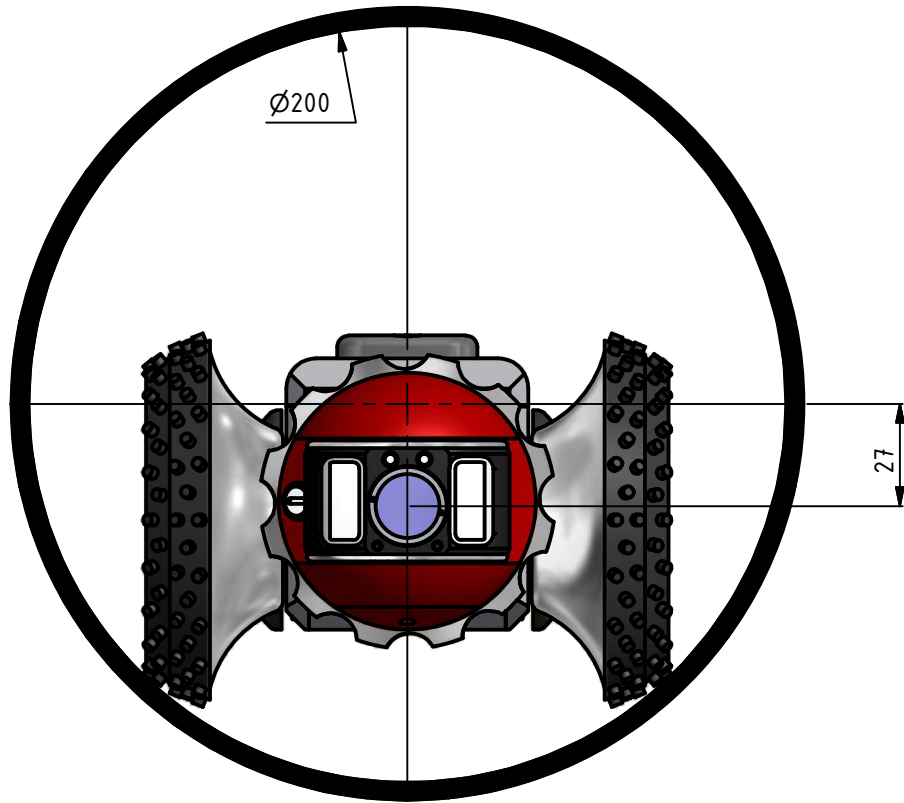
Ersatz für:

Ersetzt durch:



FWL-100  
 RSK-78110  
 Wheels D63

The copying, distribution and utilization of this documents as well as the communication of its contents to others without expressed authorization is prohibited. Offenders will be held liable for the payment of damages. All rights reserved in the event of the grant of patent, utility model or ornamental design registration.				Allgemeintoleranz:		Oberfläche		Maßstab: 1 : 1		Gewicht:	
								DN 150			
				Datum	Name		FWL-100 Setups				
				Gezeichnet	23.06.2014	St					
				Kontrolliert							
				Freigegeben	02.02.2015	St					
								1		1 / 1	
								Revision		A4	
Status	Änderungen	Datum	Name	Ersatz für:				Ersetzt durch:			



FWL-100  
 RSK-78110  
 Wheels D97

The copying, distribution and utilization of this documents as well as the communication of its contents to others without expressed authorization is prohibited. Offenders will be held liable for the payment of damages. All rights reserved in the event of the grant of patent, utility model or ornamental design registration.

Allgemeintoleranz: Oberfläche

Maßstab: 1 : 2  
 DN 200

Gewicht:

	Datum	Name
Gezeichnet	23.06.2014	St
Kontrolliert		
Freigegeben	02.02.2015	St

FWL-100 Setups

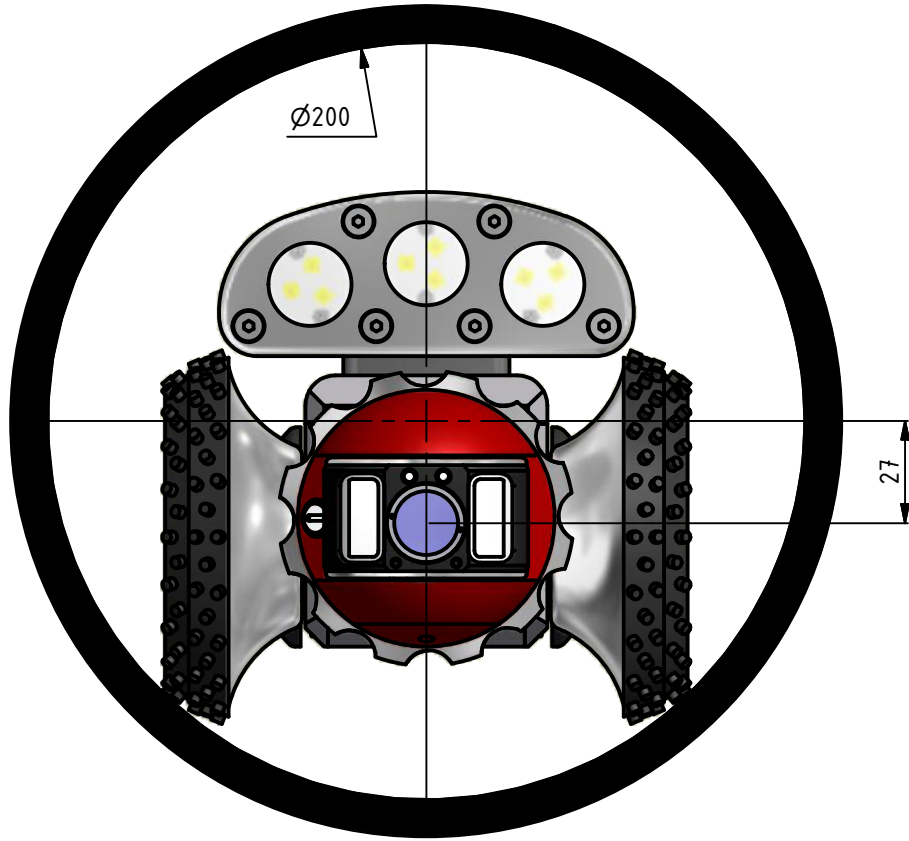


Status	Änderungen	Datum	Name

1	1 / 1
Revision	A4

Ersatz für: Ersatz durch:





FWL-100  
 RSK-78110  
 Wheels D97  
 ZBL-500

The copying, distribution and utilization of this documents as well as the communication of its contents to others without expressed authorization is prohibited. Offenders will be held liable for the payment of damages. All rights reserved in the event of the grant of patent, utility model or ornamental design registration.

Allgemeintoleranz: Oberfläche

Maßstab: 1 : 2

Gewicht:

DN 200

	Datum	Name
Gezeichnet	23.06.2014	St
Kontrolliert		
Freigegeben	02.02.2015	St

FWL-100 Setups

**RIEZLER**

1

1 / 1

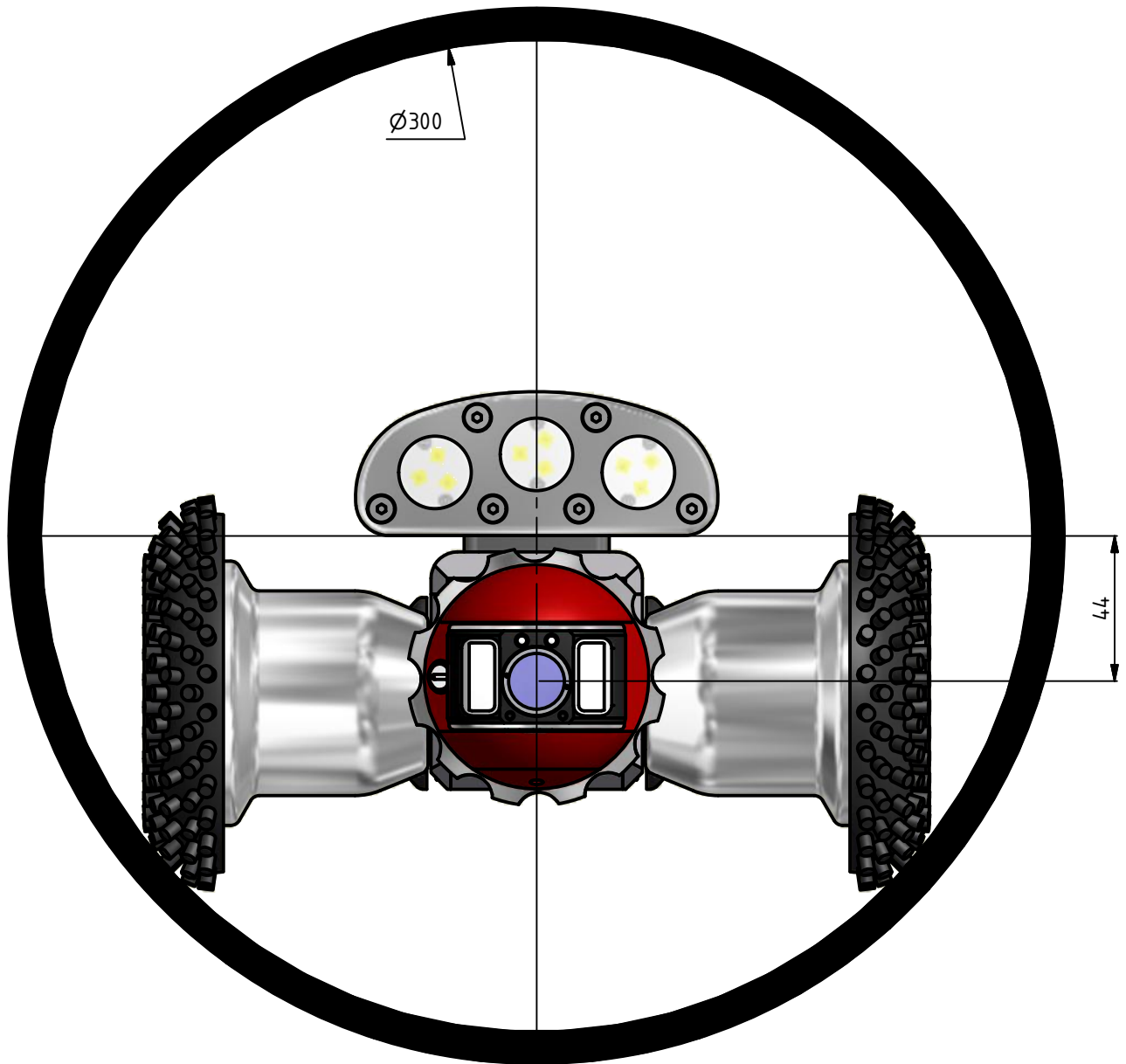
Revision

A4

Status Änderungen Datum Name

Ersatz für:

Ersetzt durch:



FWL-100  
 RSK-78110  
 Wheels D117  
 ZBL-500

The copying, distribution and utilization of this documents as well as the communication of its contents to others without expressed authorization is prohibited. Offenders will be held liable for the payment of damages. All rights reserved in the event of the grant of patent, utility model or ornamental design registration.

Allgemeintoleranz: Oberfläche

Maßstab: 1 : 2

Gewicht:

DN 300

	Datum	Name
Gezeichnet	23.06.2014	St
Kontrolliert		
Freigegeben	02.02.2015	St

FWL-100 Setups

**RIEZLER**

1

1 / 1

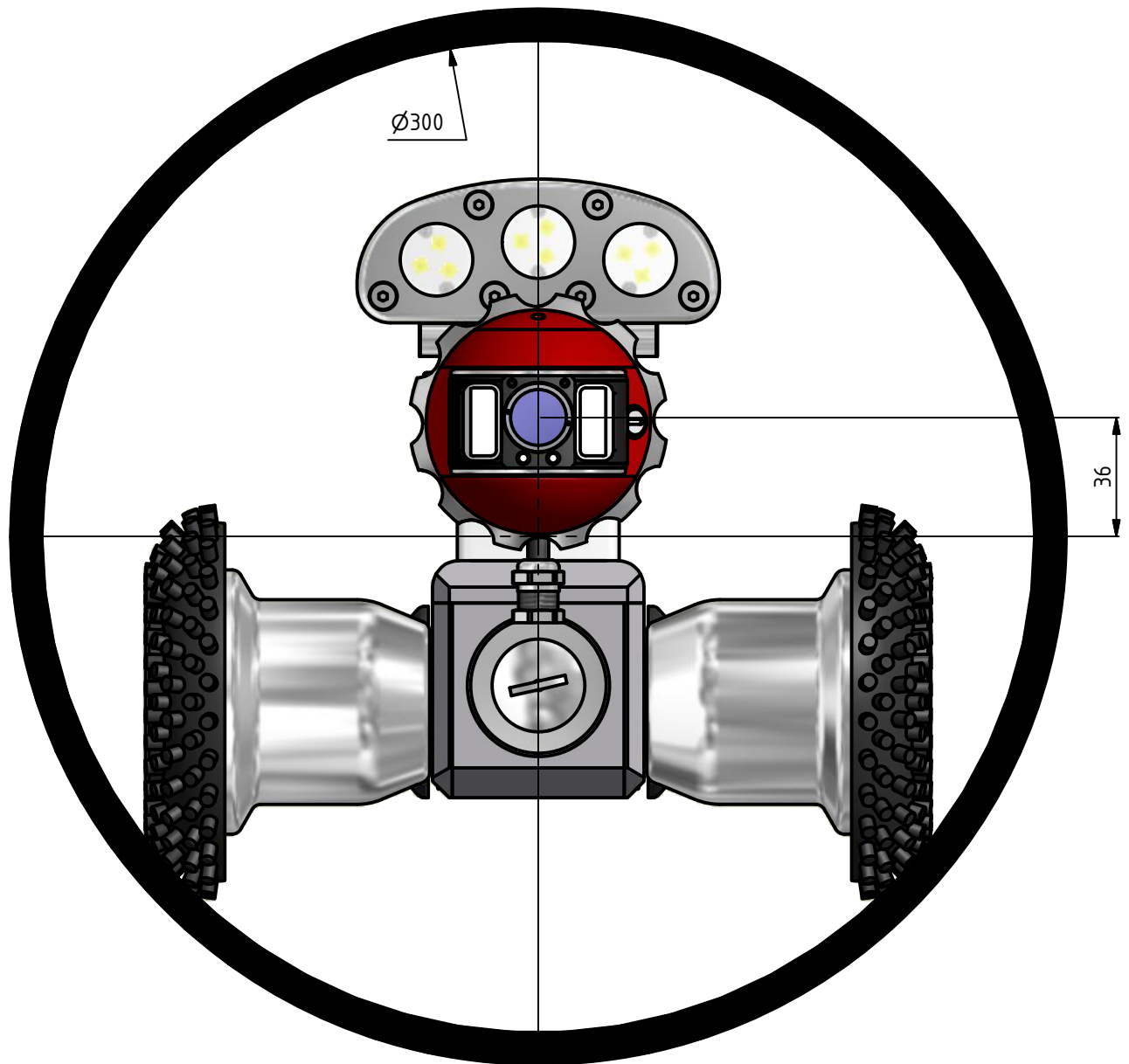
Revision

A4

Status Änderungen Datum Name

Ersatz für:

Ersetzt durch:



FWL-100  
 RSK-78110  
 Wheels D117  
 Camera Elevator  
 ZBL-500

The copying, distribution and utilization of this documents as well as the communication of its contents to others without expressed authorization is prohibited. Offenders will be held liable for the payment of damages. All rights reserved in the event of the grant of patent, utility model or ornamental design registration.

Allgemeintoleranz: Oberfläche

Maßstab: 1 : 2

Gewicht:

DN 300

	Datum	Name
Gezeichnet	23.06.2014	St
Kontrolliert		
Freigegeben	02.02.2015	St

FWL-100 Setups

**RIEZLER**

1

1 / 1

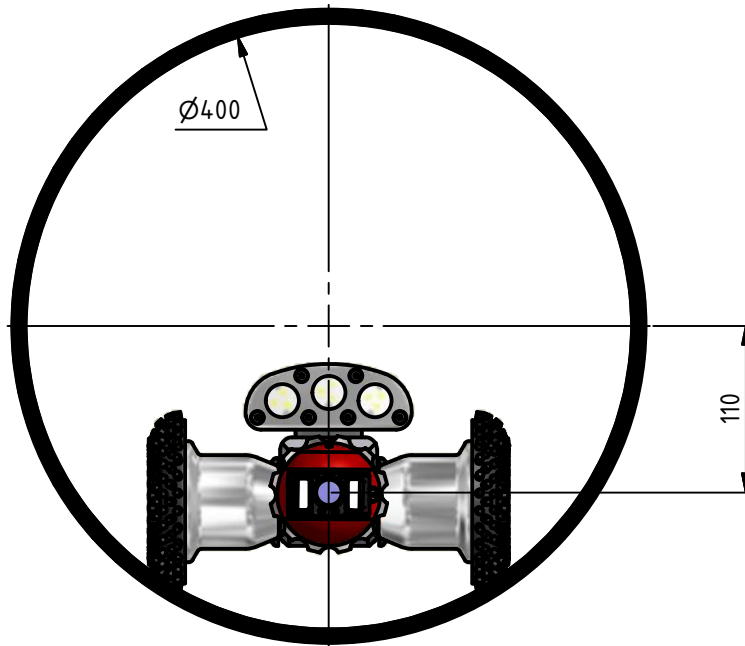
Revision

A4

Status Änderungen Datum Name

Ersatz für:

Ersetzt durch:



FWL-100  
 RSK-78110  
 Wheels D117  
 ZBL-500

The copying, distribution and utilization of this documents as well as the communication of its contents to others without expressed authorization is prohibited. Offenders will be held liable for the payment of damages. All rights reserved in the event of the grant of patent, utility model or ornamental design registration.

Allgemeintoleranz: Oberfläche

Maßstab: 1 : 5

Gewicht:

DN 400

	Datum	Name
Gezeichnet	23.06.2014	St
Kontrolliert		
Freigegeben	02.02.2015	St

FWL-100 Setups

**RIEZLER**

1

1 / 1

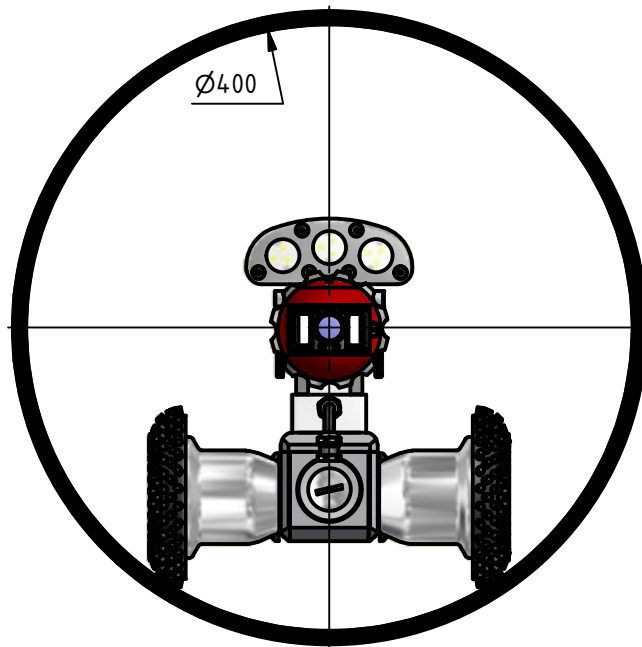
Revision

A4

Status Änderungen Datum Name

Ersatz für:

Ersetzt durch:



FWL-100  
 RSK-78110  
 Wheels D117  
 Camera Elevator  
 ZBL-500

The copying, distribution and utilization of this documents as well as the communication of its contents to others without expressed authorization is prohibited. Offenders will be held liable for the payment of damages. All rights reserved in the event of the grant of patent, utility model or ornamental design registration.

Allgemeintoleranz: Oberfläche

Maßstab: 1 : 2  
 DN 400

Gewicht:

	Datum	Name
Gezeichnet	23.06.2014	St
Kontrolliert		
Freigegeben	02.02.2015	St

FWL-100 Setups

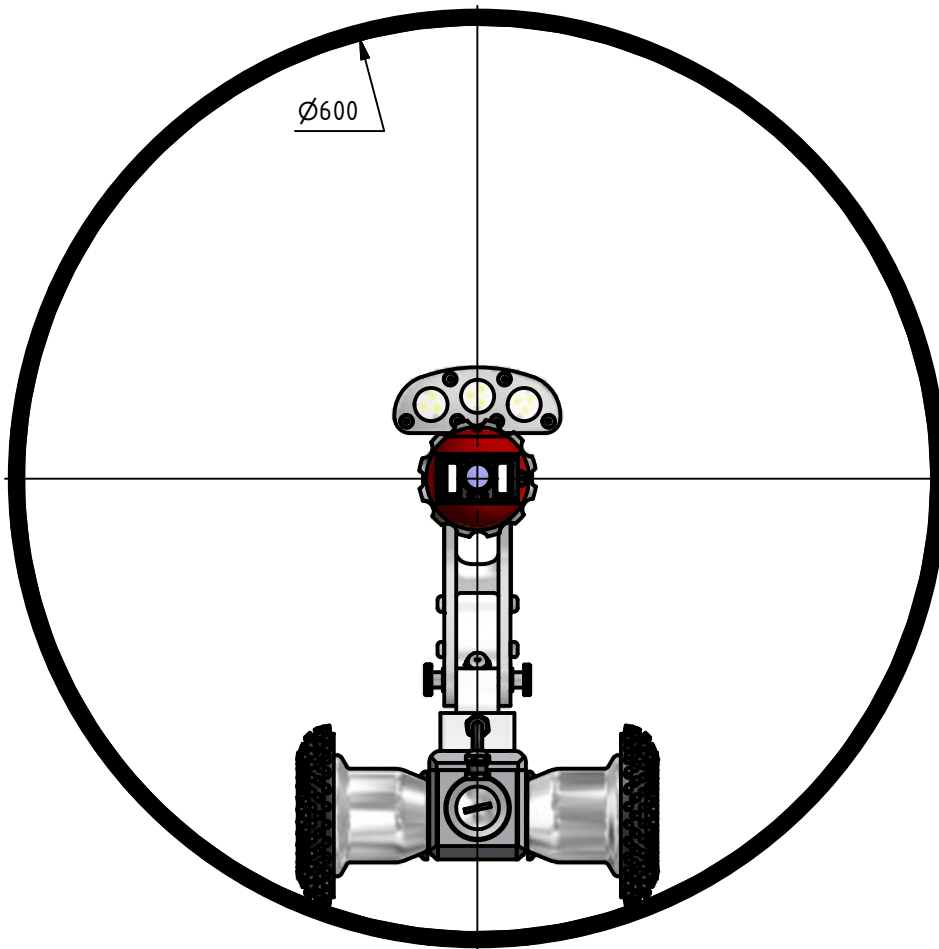


Status	Änderungen	Datum	Name

1	1 / 1
Revision	A4

Ersatz für: Ersatz durch:





FWL-100  
 RSK-78110  
 Wheels D117  
 Camera Elevator  
 ZBL-500

The copying, distribution and utilization of this documents as well as the communication of its contents to others without expressed authorization is prohibited. Offenders will be held liable for the payment of damages. All rights reserved in the event of the grant of patent, utility model or ornamental design registration.

Allgemeintoleranz:  
 Oberfläche

Maßstab: 1 : 2  
 DN 600

Gewicht:

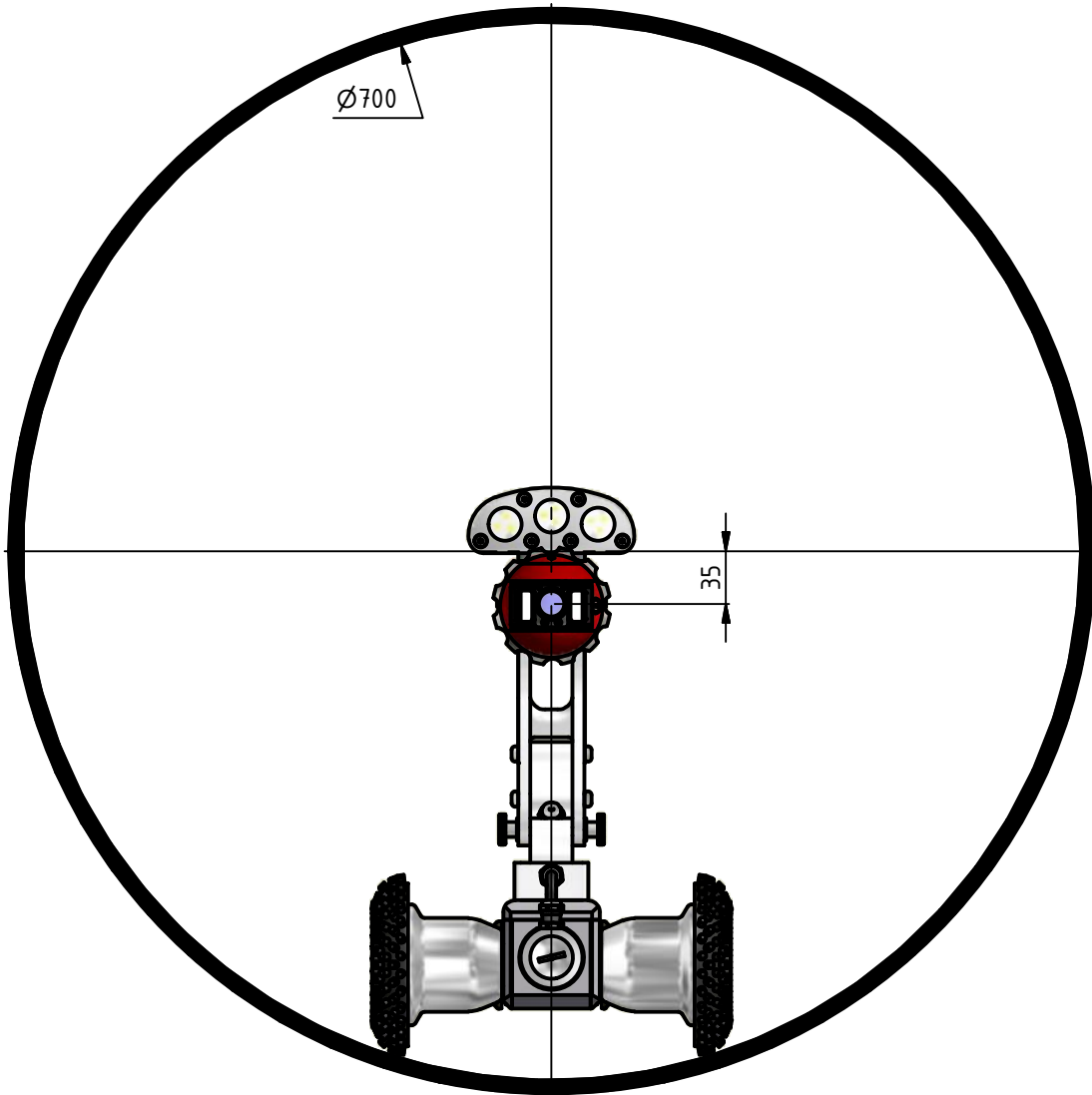
	Datum	Name
Gezeichnet	23.06.2014	St
Kontrolliert		
Freigegeben	02.02.2015	St

FWL-100 Setups



Status	Änderungen	Datum	Name

	1	1 / 1
	Revision	A4
Ersatz für:	Ersetzt durch:	



FWL-100  
 RSK-78110  
 Wheels D117  
 Camera Elevator  
 ZBL-500

The copying, distribution and utilization of this documents as well as the communication of its contents to others without expressed authorization is prohibited. Offenders will be held liable for the payment of damages. All rights reserved in the event of the grant of patent, utility model or ornamental design registration.

Allgemeintoleranz: Oberfläche

Maßstab: 1 : 5

Gewicht:

DN 700

	Datum	Name
Gezeichnet	23.06.2014	St
Kontrolliert		
Freigegeben	02.02.2015	St

FWL-100 Setups

**RIEZLER**

1

1 / 1

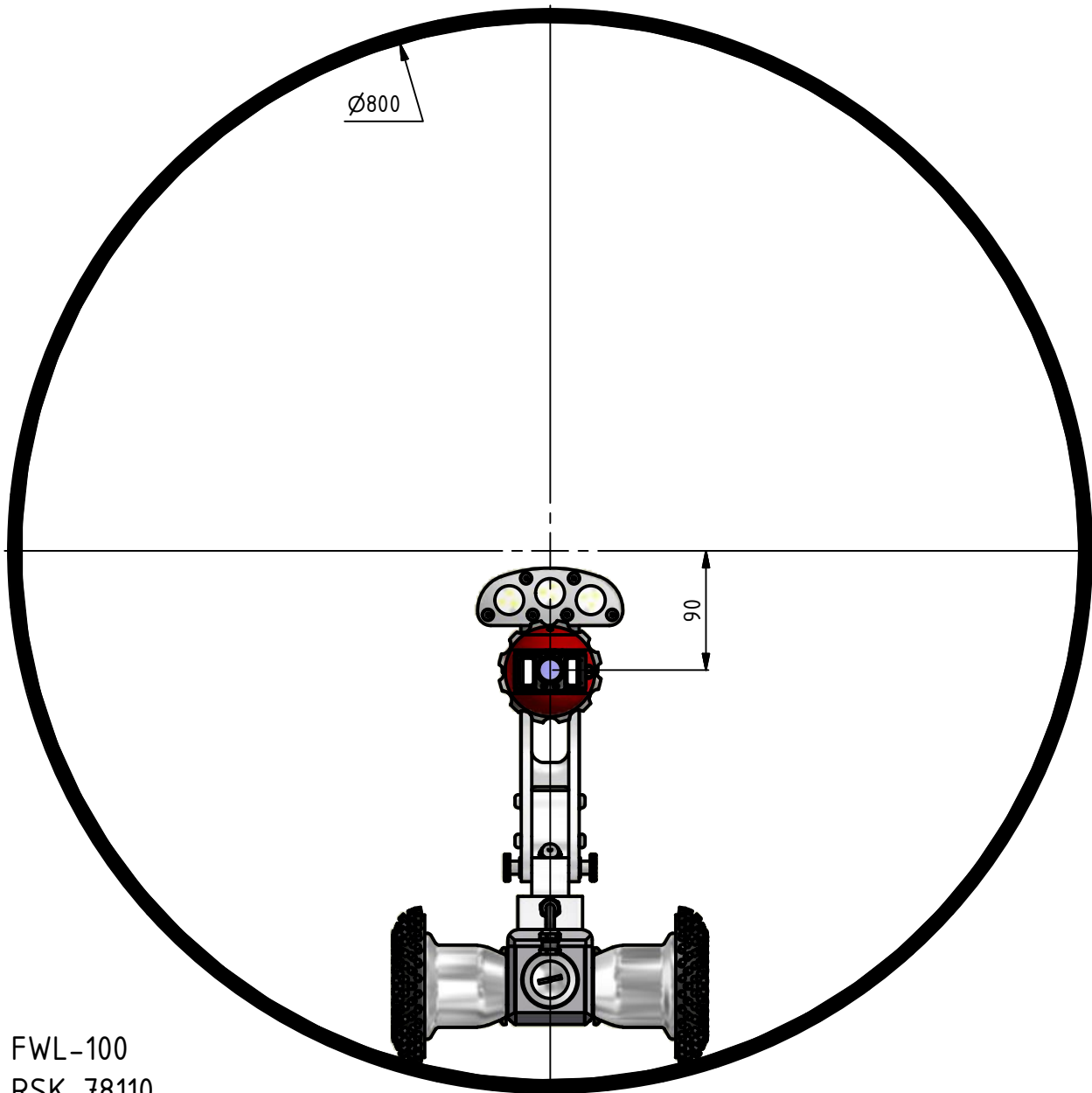
Revision

A4

Status Änderungen Datum Name

Ersatz für:

Ersetzt durch:



FWL-100  
 RSK-78110  
 Wheels D117  
 Camera Elevator  
 ZBL-500

The copying, distribution and utilization of this documents as well as the communication of its contents to others without expressed authorization is prohibited. Offenders will be held liable for the payment of damages. All rights reserved in the event of the grant of patent, utility model or ornamental design registration.

Allgemeintoleranz: Oberfläche

Maßstab: 1 : 5

Gewicht:

DN 800

	Datum	Name
Gezeichnet	23.06.2014	St
Kontrolliert		
Freigegeben	02.02.2015	St

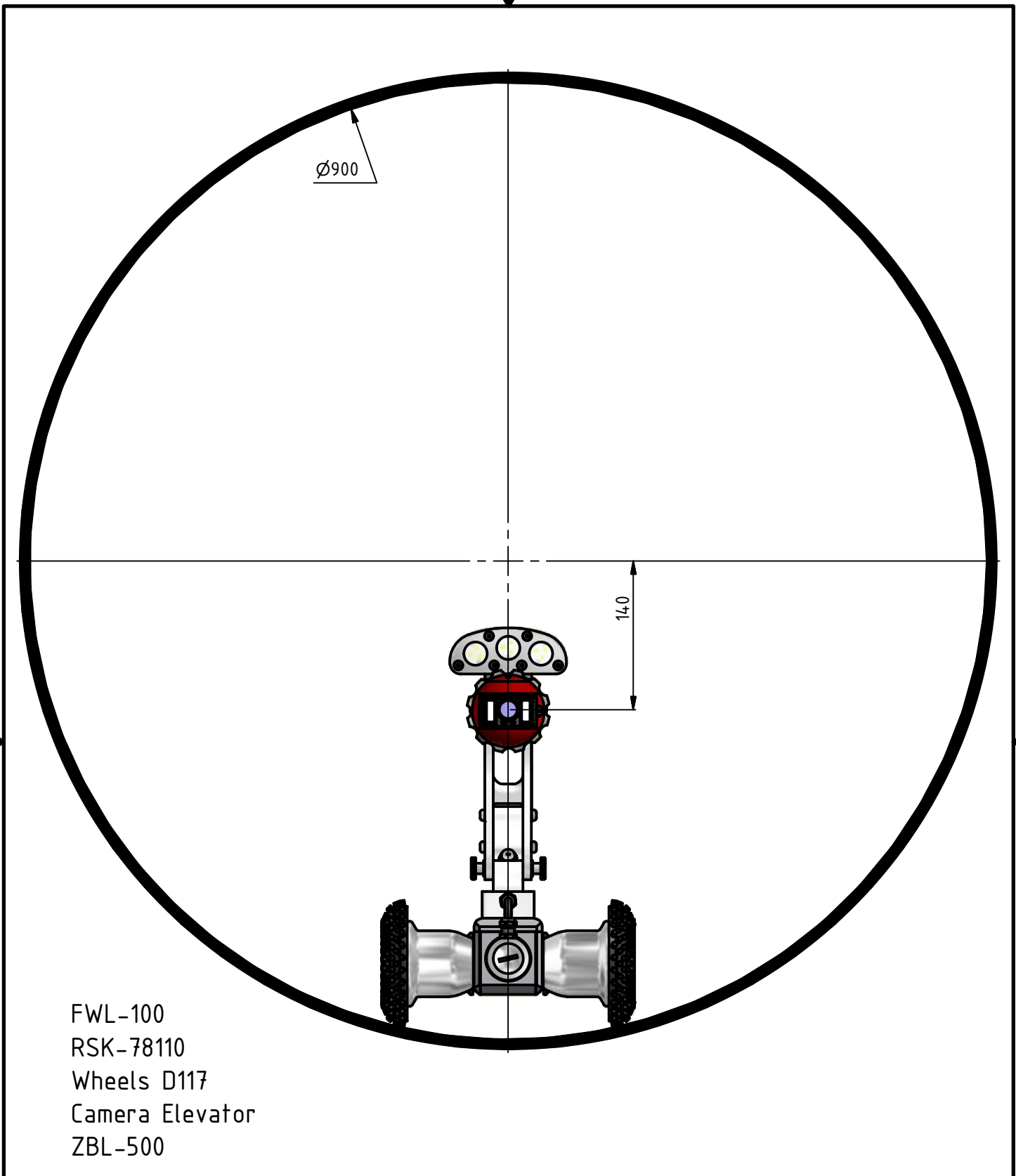
FWL-100 Setups




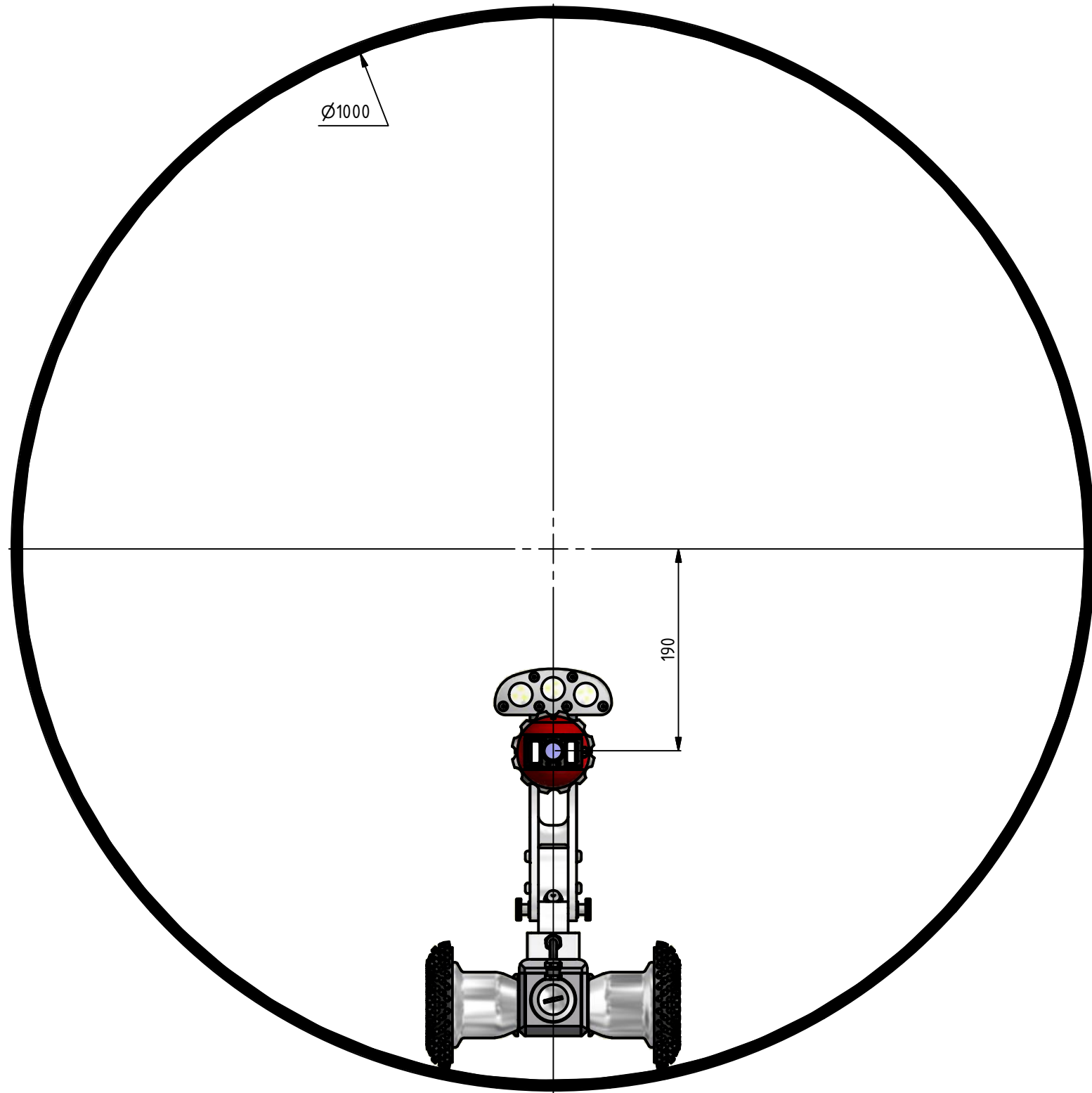
1	1 / 1
Revision	A4

Status	Änderungen	Datum	Name

Ersatz für: Ersatz durch:



The copying, distribution and utilization of this documents as well as the communication of its contents to others without expressed authorization is prohibited. Offenders will be held liable for the payment of damages. All rights reserved in the event of the grant of patent, utility model or ornamental design registration.				Allgemeintoleranz:		Oberfläche		Maßstab: 1 : 5		Gewicht:	
								DN 900			
				Datum	Name		FWL-100 Setups				
				Gezeichnet	23.06.2014	St					
				Kontrolliert							
				Freigegeben	02.02.2015	St					
									1	1 / 1	
									Revision	A4	
Status	Änderungen	Datum	Name	Ersatz für:				Ersetzt durch:			



FWL-100  
 RSK-78110  
 Wheels D117  
 Camera Elevator  
 ZBL-500

The copying, distribution and utilization of this documents as well as the communication of its contents to others without expressed authorization is prohibited. Offenders will be held liable for the payment of damages. All rights reserved in the event of the grant of patent, utility model or ornamental design registration.

Allgemeintoleranz:		Oberfläche		Maßstab: 1 : 5		Gewicht:	
				DN 1000			
		Datum		Name		FWL-100 Setups	
		Gezeichnet 23.06.2014		St			
		Kontrolliert					
		Freigegeben 02.02.2015		St			
				<b>RIEZLER</b>		1 1 /1	
						Revision A3	
Status	Änderungen	Datum	Name	Ersatz für:		Ersetzt durch:	